

Full HD screen for public environments

MultiQ offers monitors in sizes ranging from 12 inch up to 52 inch. Monitors in smaller sizes, down to 7 inch, are available on request. The monitors in larger sizes are based on the same high demands regarding level of quality and robustness as all MultiQ monitors. This monitor can also be ordered in any colour and with or without options such as touchglass, protective glass and different mounting solutions.

Durability

MultiQ 42M HD is suitable for retail environment with its metal housing and glass shield to protect the sensitive screen.

Ergonomics

MultiQ 42M HD offers several features to improve the ergonomics. The monitor can be ordered with or without antireflective glass. It can also be ordered with or without touch.

Custom design

MultiQ 42M HD is a flexible platform with unique possibilities for customisation such as optional chassis colour.

MultiQ 42M HD

Technical specifications

Display	
Panel type	42" LCD TFT active matrix panel
Active display area	930,24 (H) x 523,26 (V) mm
Resolution	WUXGA, 1920 x 1080 max.
Brightness	500 cd/m ² (Typ.)
Contrast ratio	4000:1 (Typ.)
Viewing angle	(CR 10:1) 178° (H) x 178° (V)
Number of colours	16,7 M colours
Response time	6,5 ms GTG (Typ.)
Pixel dimension	0,681 x 0,681 mm
Remote control	Yes
Control port	RS232
Key control	Power on/off with LED, Menu, Select Adjustment (+/-)
Backlight	18 CCFLs
Lamp life	50.000 h (Min.)
MTBF	50.000 h
Scan Frequency	56/60/70/72/75/85 Hz

Input Signal	
Video signal	VGA: Analog 0,7 Vp-p. 75 ohm. DVI: REV 1.0 Digital Single T.M.D.S (Transition Minimised Differential Signaling). AV/S-Video: 1 Vp-p. (0,7 V video + 0,3 V sync.), 75 ohm.
Sync. signal	TTL Level, Positive/Negative, Separate sync (VGA)
Connector	VGA (15-pin D-sub), DVI-D, Composite RCA, S-video, YPbPr/MPEG OPTIONS: Video-out: Composite RCA
Audio	Audio-in: Earphone Jack, Stereo Audio RCA (R+L) x 2. OPTIONS: Audio-out: EarPhone (Line.out), Stereo Audio RCA (R+L) (Speaker out).

Power	
Input	AC 100~240 V, 50~60Hz
Power consumption	260 W
Power management	VESA DPMS compatible

Dimension	
Without stand	615 (H) x 1022 (W) x 128,8 (D) mm

Weight (Net)	
Without stand	29,4 kg

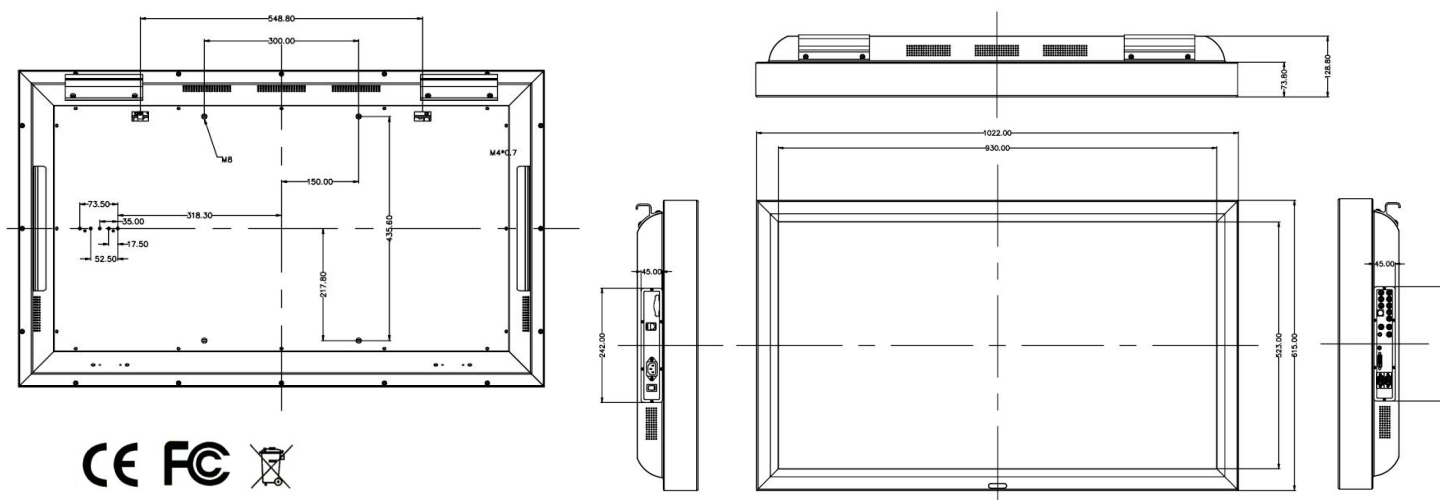
Environment	
Operating	Ambient Temp: 5 ~ 35°C (41 ~ 95°F) Humidity: 20 ~ 80% (no condensation) Altitude: To 10.000 feet
Transport & Storage	Ambient Temp: -20 ~ +60°C (-4 ~ 140°F) Humidity Range: 10 ~ 90% (no condensation)

General	
Plug & Play	DDC1/2B
Included accessories	VGA cable, DVI cable, RS232 cable, AV RCA cable, S-video cable, Audio cable, Power cord (all cables black 1,8 m). Remote control, Batteries for remote control, User manual. OPTION: USB, Serial cable (both 1,8 m black)
Regulations	CE, FCC
Warranty	3 years SendIT

Options

Additional accessories	
Wall bracket, Swing arm, Ceiling mount, Floor stand.	

Project options	
Touch	SAW
Other	Protective glass, Sun readable film (transreflective).



RoHS Compliant 2002/95/EG

©2009 MultiQ are registered trademarks or trademark applications of MultiQ International AB in various jurisdictions. All other company names and products are trademarks or registered trademarks of their respective companies. We reserve the right to change the specifications without prior notice.