

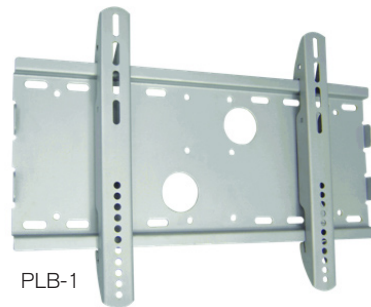
MultiQ Accessories for 26-42 inches screens

Custom-made solutions adapted to meet the needs of the customer – unique qualities that distinguish MultiQ's offer from all others. As well as robust and durable monitors, we manufacture accessories that accentuate the flexibility and range of application of the monitors.

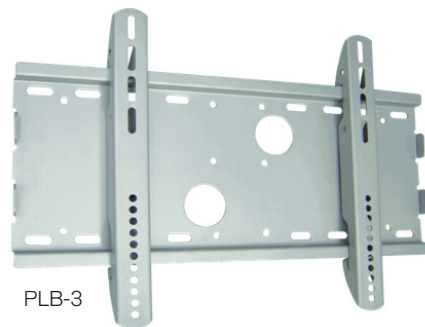
MultiQ Wall Bracket

MultiQ Wall Bracket is a fixed and slimline wall mount which allows the secure mounting of MultiQs larger screens to a wall. The MultiQ Wall Bracket has a capacity up to 75kg and is easy to install. With its adjustable rails, it fit different monitors model and has a lock system on the back. MultiQ Wall Bracket is to be used for our larger screens in sizes 26 to 42 inches.

Part no.	Description
PLB-1	Wall Bracket for MultiQ 42 (horizontal)
PLB-3	Wall Bracket for MultiQ 26, MultiQ 32 (horizontal) and MultiQ 42 (vertical)



PLB-1

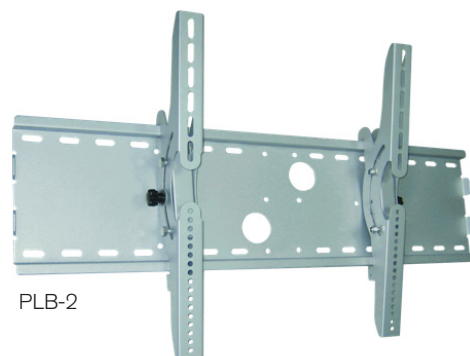


PLB-3

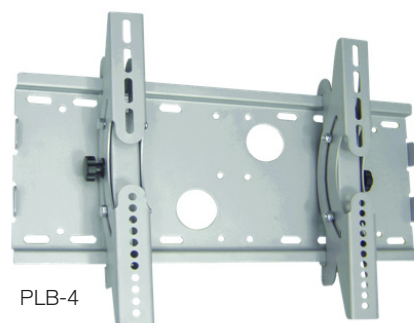
MultiQ Wall Bracket with tilt

MultiQ Wall Bracket with tilt is designed to mount MultiQs larger screens to a wall. The MultiQ Wall Bracket allows you to effortlessly tilt your screen 15° up or down without using tools. The MultiQ Wall Bracket with tilt has a slim design and a capacity up to 75kg. It is easy to install and with its adjustable rails, it fit different monitors model. MultiQ Wall Bracket with tilt is to be used for our larger screens in sizes 26 to 42 inches.

Part no.	Description
PLB-2	Wall Bracket with tilt for MultiQ 42 (horizontal)
PLB-4	Wall Bracket with tilt for MultiQ 26, MultiQ 32 (horizontal) and MultiQ 42 (vertical)



PLB-2



PLB-4

MultiQ Accessories for 26-42 inches screens

MultiQ Ceiling mount, single

MultiQ Ceiling mount, single, is designed to mount MultiQs larger screens to the ceiling. It has a 360° horizontal rotation and a weight capacity up to 75 kg. The MultiQ Ceiling mount has a height adjustment from 870-1.560 mm by 30 mm increments and has a effective cable management. MultiQ Ceiling mount is to be used for our larger screens in sizes 26 to 42 inches and ordered together with MultiQ Wall bracket for larger screens.

Part no.	Description
PLB-CE3	Ceiling mount, single for MultiQ 26 to MultiQ 42

MultiQ Ceiling mount, back to back

MultiQ Ceiling mount, back to back, is designed to mount a double monitor solution to the ceiling. MultiQ Ceiling mount, back to back is to be used for our larger screens in sizes 26 to 42 inches and ordered together with MultiQ Ceiling mount, single and MultiQ Wall bracket for larger screens.

Part no.	Description
PLB-CE3B	Ceiling back to back mount for MultiQ 26 to MultiQ 42



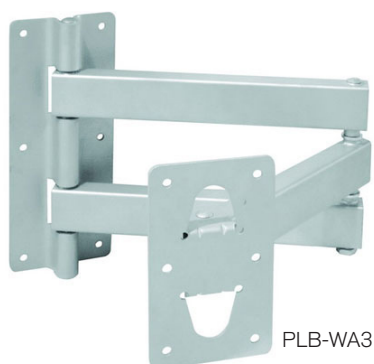
PLB-CE3B

PLB-CE3

MultiQ Swing arm, wall mount

MultiQ Swing arm, is designed to mount MultiQs larger screens to a wall. The heavy-duty design accommodates screens up to 75 kg and offers adjustable screen tilt 20° back-and-forth of center. The MultiQ Swing arm is to be used for our larger screens in sizes 26 to 42 inches and is ordered together with MultiQ Wall bracket for larger screens.

Part no.	Description
PLB-WA3	Swing arm for wall mounting



PLB-WA3

©2009 MultiQ are registered trademarks or trademark applications of MultiQ International AB in various jurisdictions. All other company names and products are trademarks or registered trademarks of their respective companies. We reserve the right to change the specifications without prior notice.

